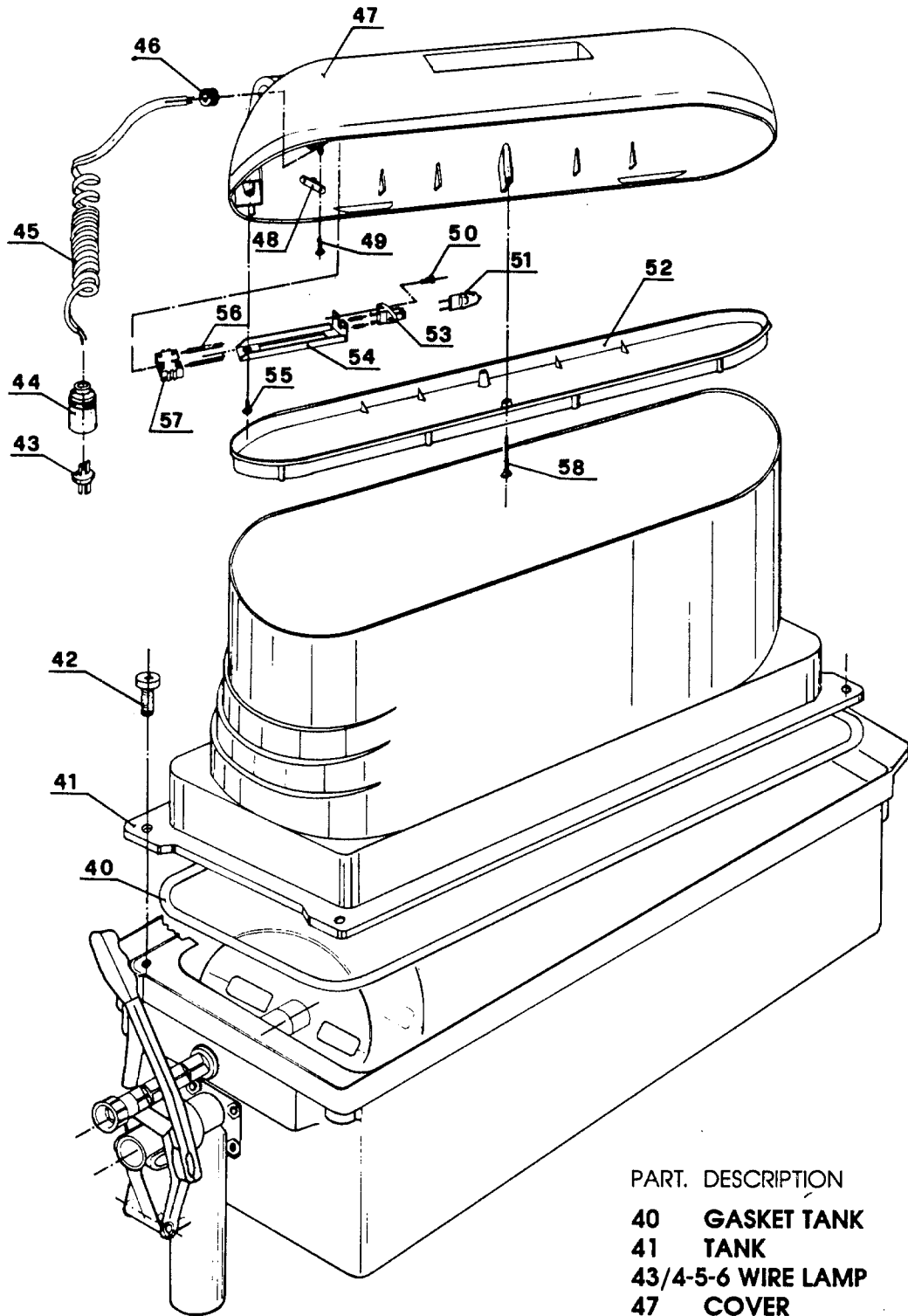


EXPLODED VIEW NO. 3



| PART. | DESCRIPTION |
|----------|---------------------|
| 40 | GASKET TANK |
| 41 | TANK |
| 43/4-5-6 | WIRE LAMP |
| 47 | COVER |
| 51 | HALOGEN LAMP |
| 52 | GLASS LAMP |
| 53 | LAMP SOCKET |
| 54 | SUPPORT LAMP SOCKET |