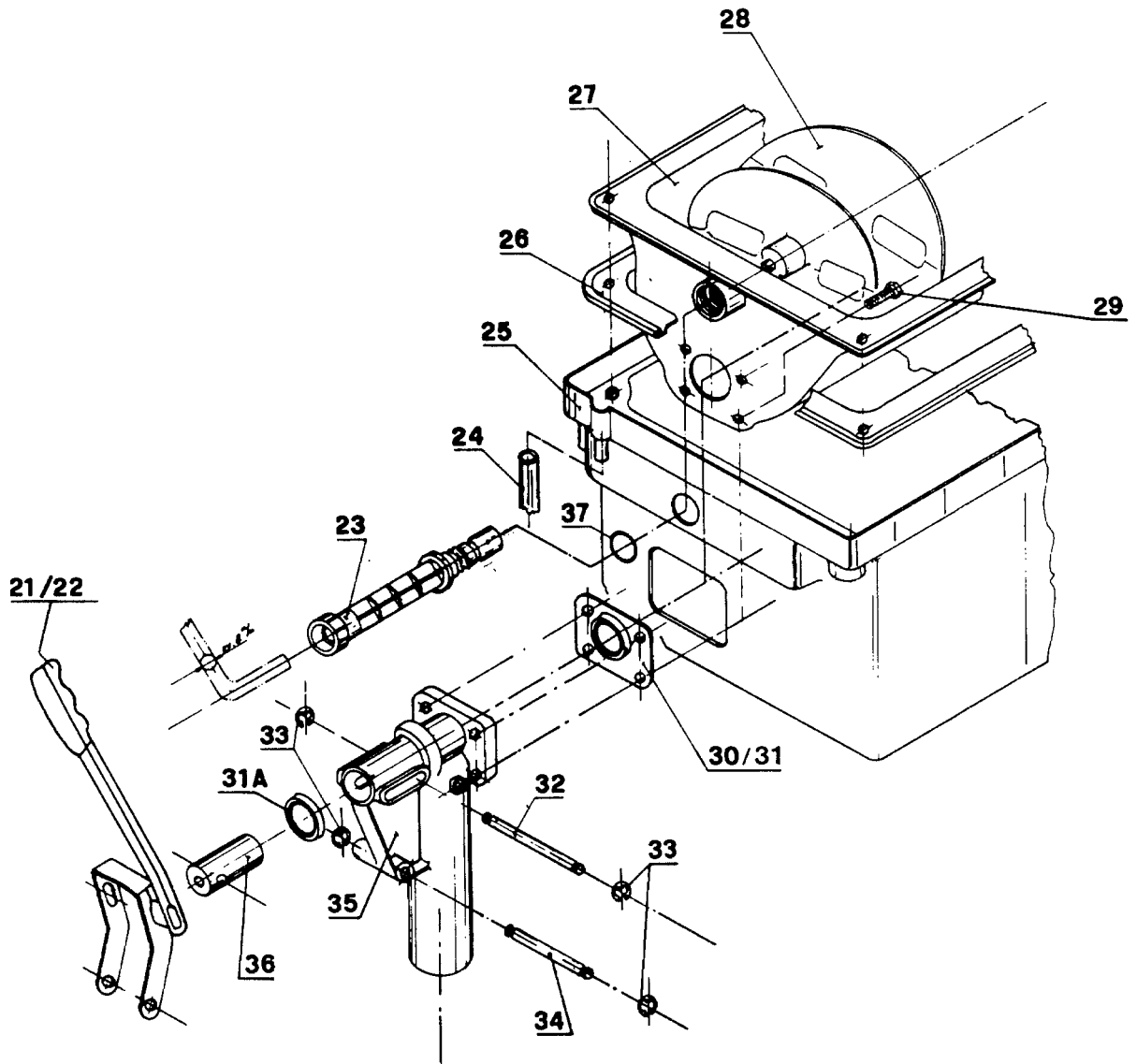


EXPLODED VIEW NO. 2



LIST OF SPARE PARTS

PART. DESCRIPTION

21/22 HANDLE

23 PLASTIC SCREW

24 DRAIN PIPE

25 BLACK TANK

26 COMPLET GASKET

27 INOX TANK

PART. DESCRIPTION

28 SCREW

30 GASKET TAP

31 GASKET DISPENSER

32 AXIES INOX

35 COMPLETE TAP BODY

36 TAP PLUNGER

37 OR ING FOR SCREW