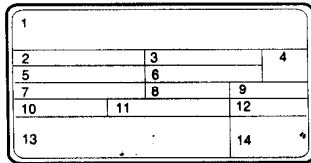


PRODUCT RANGE: Coffee machine

MODEL: MISS SILVIA

The label illustrated on the cover of this instruction manual corresponds to the identification label placed on the machine Fig.1.



Label data:

- 1 Manufacturer
- 2 Model and version
- 3 Voltage
- 4 EC conformity mark (if required)
- 5 Serial number
- 6 Machine total absorption
- 7 Boiler data
- 8 Frequency
- 9 Data of the onmi-pole switch cut-out
- 10 Motor power
- 11 Heating element power
- 12 Protection level
- 13 Conformity marks
- 14 Year of manufacture

Symbols



Warning signal. The instructions which refer to this signal must be followed with great care in order to avoid accidents or damages to the machine.

This manual is an integral and essential part of the product and must be delivered to the user. The warnings contained in this manual must be read carefully, as they supply important indications relating to the safety of installation, use and maintenance. Keep this manual for further consultation.

GENERAL SAFETY RULES

- The packing elements (plastic bags, expanded polystyrene, nails, cardboard, etc.) must not be left within the reach of children, as they are potential sources of danger.
- Check that the data on the machine correspond to those of the electrical supply network, before connecting the equipment

- It is advisable to unwind the supply cable for the whole length to avoid twisting or damages. Do not place the cable near water, liquids or heat sources. The cable must not be damaged (should the cable be damaged, contact qualified personnel to replace it).
- It is not recommended to use adaptors, multiple sockets and/or extensions. When their use is indispensable, only products with certificate of quality (e.g. IMQ,VDE,+S,etc.) may be used. Check that the voltage capacity limit indicated on the adaptors exceeds the absorption capacity (A=ampère) of the equipment.
- In doubt, request an accurate control of the plant by qualified personnel. The electric plant must be provided with the following safety regulations:
 - ⇒ efficient earth connection
 - ⇒ section of conductors suitable for absorption capacity
 - ⇒ efficient earth leakage protection circuit breaker.
- Do not install the machine in the proximity of heat sources (oven, cooking stove, fireplace, etc.) and in conditions in which the temperature may go below + 5° C. **KEEP WARM.**
- Do not leave the machine exposed to atmospheric agents (rain,sun,etc.) and do not install it in damp rooms such as bathrooms.
- Only spare parts authorized by the manufacturer must be used, in order to avoid compromising the safety of the machine.
- Keep the packed machine in a dry place, not exposed to atmospheric agents and in conditions in which the temperature may not go below 5° C. Do not stack more than three items of the same kind. Do not place heavy items on the packaging.



Erroneous installation can cause damage to people and things for which the manufacturer cannot be considered responsible.

DESCRIPTION

Assembling information

The machine is composed of a central structure for coffee dosage, obtaining coffee and steam or hot water.

The body is made up from a carrying structure in painted iron, suitably covered with stainless-steel parts.

Protections

Water boiler equipped with spring mechanic valves for over-pressures.

Electro-magnetic pump equipped with thermal protection.

All the moving and heating parts are inside the machine.

Aerial noise

In working places the noise level is not generally above 70dB(A).

Vibrations

The machine is supplied with rubber vibration suppressing little feet. In normal working conditions the machine does not produce vibrations harmful to the operator and the environment.

TECHNICAL DATA

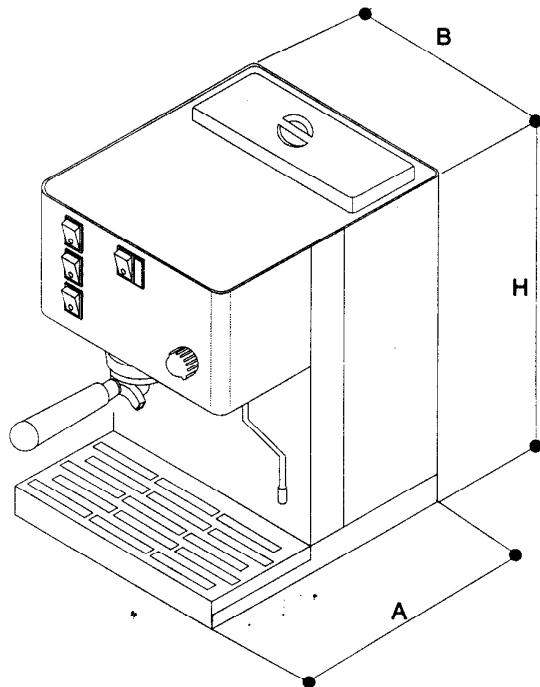
Machine dimensions	A-290/B-235 H-340mm.
Packing dimensions	A-430 B-340 H-450mm.
Packing volume	0,06m ³
Net weight	14kg.
Gross weight with packing	15kg.
No. of items	1
Electromagnetic pump	48W
Electric supply	See label data
Resistance	See label data
Water tank capacity	CA 2litri
Working place temperature	+5°+45°C

Overview of the machine Fig.1-2:

- 1 Main switch
- 2 Heating water signal lamp
- 3 Press button to obtain coffee
- 4 Press button to deliver water
- 5 Press button to deliver steam
- 6 Steam/water handle
- 7 Steam/water pipe
- 8 Water tank
- 9 Drip grille
- 10 Coffee powder and liquid collecting tray
- 11 Group to obtain coffee
- 12 Filter holder

Accessories Fig.5:

- 13 Two cup filter
 - 14 One cups filter
 - 15 Ground coffee press
 - 16 Coffee measure
- Instruction manual



USE

The machine has been designed and manufactured to grind coffee beans and obtain coffee and warm drinks (tea, cappuccino, etc.).

This machine has to only for the purposes for which it was designed. Any other use is to be considered unsuitable and therefore dangerous.

The user must always follow the indications contained in this manual. In the case of a failure or if the machine is not working properly, switch it off and do not attempt any direct repairs. Refer exclusively to qualified personnel.

The user has not to:

- touch the hot surfaces of the machine with his hands, but use only proper the controls.
- transport the machine or carry out maintenance operations with the plug connected and when the machine is warm.
- pull the supply cable in order to disconnect the machine from the supply network.
- use the machine if the supply cable is damaged.
- touch the machine with wet or damp hands or feet.
- wash the machine with water or vapour jet.
- dip the machine in water or other liquid.
- use the machine when there are children in its proximity.
- allow the machine to be used by children or unfit persons.
- obstruct the aspirations or heat dissipation grilles with clothes.
- leave the side doors open.
place containers with liquids on the machine.



It is forbidden to install or use the machine in case it should be wet or damp. It is always necessary to request an accurate control by qualified personnel in order to find out any possible damages to the electric components.

Counterinstructions

This machine may be used only for the purposes for which it was designed. It cannot be used to product other than coffee or any non food products.



The manufacturer cannot be held responsible for any damage caused by unsuitable, erroneous and irrational use of the machine.

TRANSPORT

The machine must always be transported in a correct position following the instructions on the cardboard box.



Do not turn over the machine or lay it down on a side.

The box also contains accessories separately and a technical-practical documentation which must be saved for further consultations.

- Open the upper side of the box, remove the accessories and take out the machine.
- Check if the machine, the accessories, the electric cable and the plug are in perfect conditions. Should one of these parts be damaged, immediately contact our customer servicing office.



The packing elements (plastic bags, expanded polystyrene, nails, cardboard, etc.) must not be left within reach of children, as they are potential sources of danger. The packaging should be disposed of with consideration.

INSTALLATION

The machine is delivered ready to be installed according to the label data.



Make sure that the user's electrical supply has the same characteristics of the machine.

The power supply plant must be supplied with earth leakage protection circuit breaker or automatic main switch connected to an adequate earth. If no safety device is available, it is necessary to prepare an omni-pole switch in compliance with the safety regulations in force, having an opening distance of the contacts equal or superior to 3 mm. It is compulsory to use grounding connections with the machine.

The manufacturer declines any responsibility if this accident prevention regulation is not observed.

*Do not damage the electric cable by bending or crushing it.
Do not pull the supply cable in order to disconnect the machine from the supply network.*

It is recommended not to place the machine in niches in order to avoid problems during the maintenance or filling operations.

- The supporting surface of the machine must be well levelled, dry, stable and 80 cm high from the floor.
- Place the machine and connect the plug.

Controls Fig.1-2

1. Main switch with red lamp on-off;
By pressing the button, the machine is connected, the red lamp is on, the boiler water is heated, lamp 2 is on.
2. Boiler resistance lamp;
When the electric resistance heats the boiler water, the lamp is on.

3. Coffee press button with red lamp on-off;
By pressing the button, coffee is obtained; the red lamp is on.
4. Hot water switch with orange on/off indicator; pressing the hot water switch down, with the steam handle open, the hot water comes out and at the same time, the orange indicator is alight.
5. Steam delivery button with red lamp on-off;
By pressing the button, steam is delivered; the red lamp is on.
6. Handle for steam/hot water brewing.
When the switch n.5 is on, using the handle, the steam comes out from the pipe.
When the switch n. 4 is on, using the handle, the hot water comes out from the pipe.



NB. The two switches must be used separately.(the hot water can not be taken at the same time as the steam or vice versa.

STARTING THE MACHINE

Filling the water tank.(Fig.5)

Fill the water tank before using the machine and when it is necessary (always switch off the machine).

- Open door and pour 2 litres of water into the tank (use drinkable softened water).
- Close the door and immerse pipe as far as the bottom of the tank.

Fill the water tank before using the machine, after a long period of inactivity or when the tank is empty.

- Release filter ring 12 Fig.1, open the steam tap 6; then press the main switch 1 and, at the same time, press the coffee-switch 3.
- When water begins to come out of the steam pipe 7, close the steam-tap 6 and allow water to flow from the coffee outlet for a few seconds, after which the coffee-switch 3 should be switched off. If, after 30 secs, no water comes out, repeat the operation as above.
- Fit on the filter-holder 12, with a filter inside, and wait for the machine to heat up to the right temperature.
- Before using the machine for the first time, deliver 0,5 litres of water when the machine is warm to rinse the group.

OPERATION

Reheating the machine

Heat the machine before using it.

- Ensure you have water in the tank.
- Press button 1 (lamp 2 on).
- Wait for the machine to be at the working temperature (lamp 2 off).

Obtaining coffee

- Remove the filter-holder 12 by turning the handle clockwise.

- Fill the filter with one or two doses measures of coffee (depending on which filter you insert), using the special measure supplied.
- Press the coffee down with the tamper 15.
- Replace the filter-holder 12 by turning anti-clock wise.
- Place the cups in correspondence with the holes under the filter holder.
- Press down the coffee-switch 3; after few seconds, the coffee will begin to run out. When you have the desired quantity and concentration, switch off the coffee-switch 3.



Check frequently the water tank level in order to avoid that the pump sucks in air during coffee delivery, getting noisy. In this case switch off immediately the button 3, fill the water tank and repeat the starting machine operations.

It is recommended to pay attention to the hot parts of the machine and especially to the delivery group and to the steam outlet pipe. Never put your hands under the group or under the steam outlet pipe while the machine is working.

Steam delivery

- Press the steam-switch 5, wait few seconds and then open the tap 6 to allow any condensed water to be expelled from the pipe 7. Close the tap 6 again.
- Wait about 30 seconds, after which the pipe can be immersed in the liquid you wish to heat up (milk, or a rum punch, etc..). Turn the tap, and the steam that comes out will heat the liquid to the desired temperature.



Never deliver steam longer than 4-5 minutes without filling the boiler water.

- After heating the drink, release some steam through the pipe in order to clean the holes in the nozzle.
- Switch off button 5 and clean the pipe 7 with a damp cloth.
- Fill the boiler water.

Cappuccino

To obtain a cappuccino with some creamy froth, follow these instructions:

- Use a high and narrow container half filled with milk.
- Immerse half of the nozzle 15 into the liquid, open the tap 6 and heat milk.
- Close the tap 6, pour the whipped and creamy milk into the pre-heated coffee cup;
- Fill the boiler water.

Filling the fresh water tank Fig.1

- Check that buttons 4-5 is off and filter holder 12 is released;
- Press button 3 and wait for water to be delivered from group 11.
- Switch off button 3.

In case of danger immediately switch off all buttons and disconnect the plug.

MAINTENANCE



Maintenance operations are to be done when the machine is off and cold and the plug is disconnected.

Do not clean the machine by using metal or abrasive devices, such as steel wool, metal brushes, needles, etc., or detergents. For cleaning operations a damp cloth or a sponge may be used.

Routine maintenance

- Clean the outside part, the nozzle 7 the delivery head 7 and the seal 8 of the group Fig.4.

- Check and clean the five liquid collecting tray 10.
- Rinse filters 13-14 and filter holder 12 with warm water and a cloth or a sponge.

Periodical maintenance or after frequent working of the machine

After effecting the daily operations, follow these instructions:

- Immerse filters 13-14 and filter holder 12 into boiling water for some minutes in order to dissolve coffee greasy and remove it by using a cloth or a sponge.
- Periodically add special decalcifiers for "family coffee machine" into the water while the machine is working.



Follow the instructions given on the decalcifiers packaging. To choose the decalcifiers, address to qualified personnel or to the customer service.

Clean water tank 8, carefully immerse pipe Fig.5 as far as the bottom of the water tank.



*Should the cable be damaged, contact qualified personnel to replace it by means of a special tool.
All waste products used for working or maintenance operations that can be considered polluting or not biodegradable should be disposed of with consideration to the environment.*

STOPPING THE MACHINE

Temporary stop

- Empty water tank 8 and water boiler.
- Switch off all buttons and disconnect the plug.
- Perform the cleaning and maintenance operations.

- Keep the machine in a dry place : Do not leave it exposed to atmospheric agents and do not allow it to be used by children or unfit persons.

Definitive stop

After effecting the operations of temporary stop, follow these instructions:

- Cut the supply cable.
- Pack the machine using cardboard, polystyrene or other packing materials and deliver it to a rubbish collector or second-hand goods dealer.

PROBLEMS

Check operations to be effected by the user (with disconnected supply plug).

A) The machine does not start:

- check if the plug is connected.
- in case of power failure wait for the power to return and check if the earth leakage protection circuit breaker or the main switch is on.
- check the conditions of the plug and the supply cable; if damaged contact qualified personnel to replace them.

B) It does not deliver coffee:

- the water tank is empty; fill it.
- the boiler was not filled in after steam delivery.

C) It does not deliver water:

- the water tank is empty; fill it.
- the boiler was not filled in after steam delivery.
- pipes are obstructed; clean the pipes of the outlet pipe.

D) It does not deliver steam:

- the boiler was not filled.

- pipes are obstructed; clean the pipes of the outlet pipe.

E) Irregular delivery of coffee:

- clean the filter in the filter ring.
- the grinding is too fine or too coarse.



For any kind of problem or inconvenience not specifically indicated disconnect the plug and contact the customer servicing.

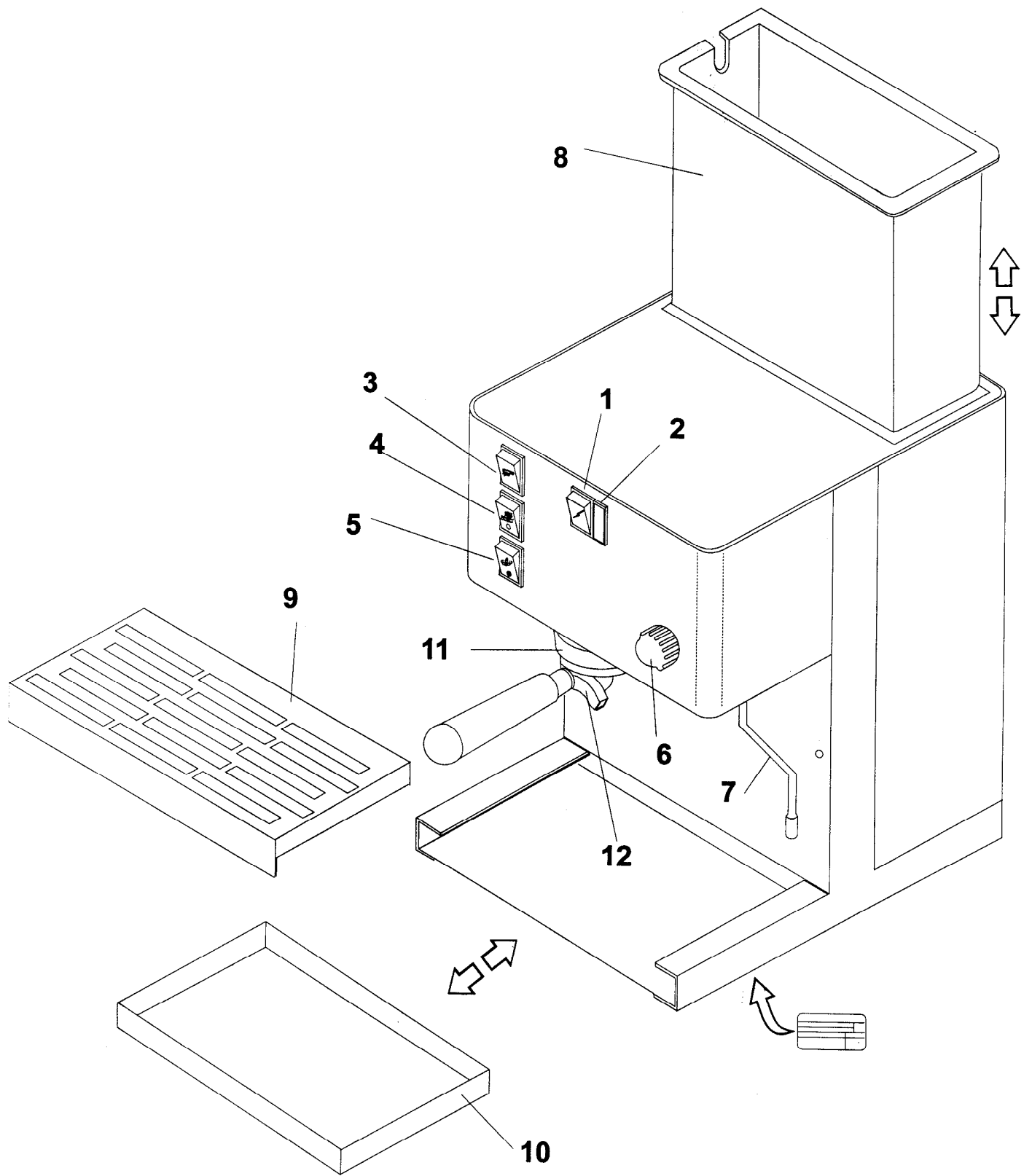


Fig.1

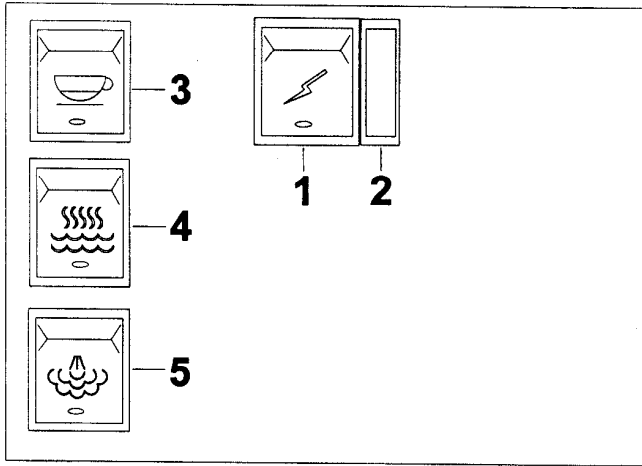


Fig. 2

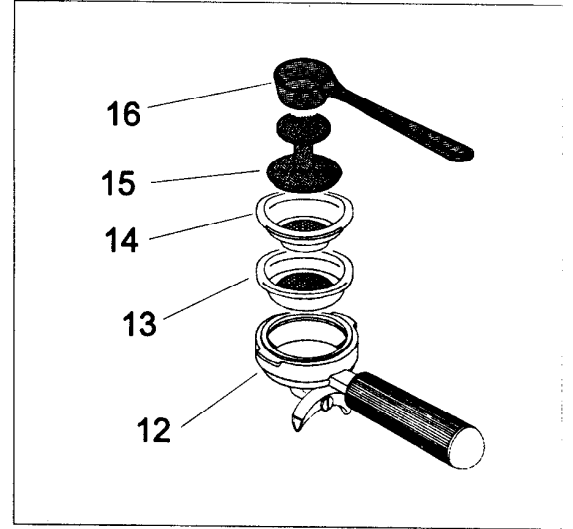


Fig. 3

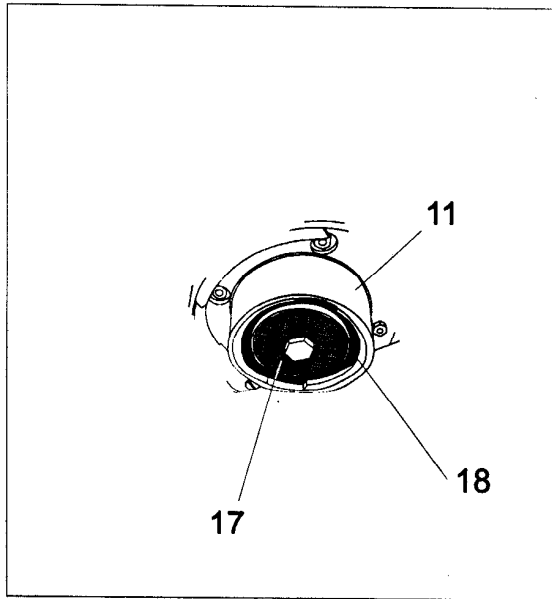


Fig. 4

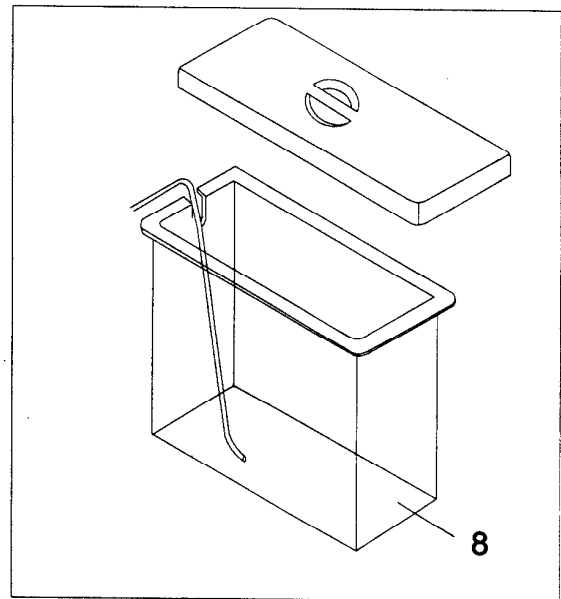


Fig. 5