

PROJET HT 6000 +

INSULATED CHIMNEY

Factory-built 650°C Chimney 6", 7" & 8" dia.

INSTALLATION AND OPERATING INSTRUCTIONS

SUMMARY

DO IT RIGHT WITH PROJET HT6000 / WARNING	2 3
KEEP YOUR CHIMNEY CLEAN	3
1 SIZING CHART	
GENERAL INSTALLATION NOTES	4
2 INSTALLATION INSTRUCTIONS STEPS	5
INTERIOR INSTALLATION WITH CATHEDRAL CEILING	6
3 OFFSET INSTALLATION	7-8
4 THROUGH-THE-WALL INSTALLATION	9-10
FIREPLACE COMPONENTS	11
WARRANTY	12

WARNING

A MAJOR CAUSE OF CHIMNEY RELATED FIRES IS FAILURE TO MAINTAIN REQUIRED CLEARANCES (AIR SPACES) TO COMBUSTIBLE MATERIALS. IT IS OF UTMOST IMPORTANCE THAT THIS CHIMNEY BE INSTALLED ONLY IN ACCORDANCE WITH THESE INSTRUCTIONS.

Read these instructions and keep them for future reference

This chimney has been tested to 2100°F

Listed: ULC-CMH943

Standards: ULC-S629



SECURITY CHIMNEYS INTERNATIONAL LTD
2125 Monterey St.
Laval, Quebec, H7L 3T6
(450) 973-9999

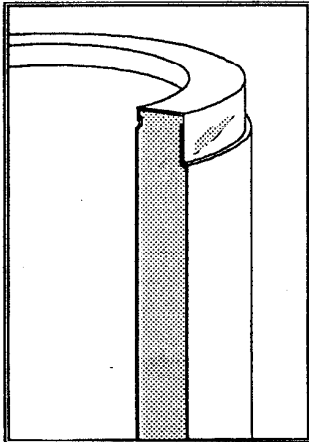
DO IT RIGHT WITH PROJET HT6000

CONGRATULATIONS!

You have made a wise choice in your selection of a PROJET HT6000+ insulated chimney system. You've purchased a fine quality system researched, developed and tested to precise standards of quality in manufacturing.

It's so easy to install...you can do it step-by-step. Each chimney system component is designed to fit together perfectly and easily. If you are handy with a few basic tools and have a general

knowledge of carpentry, you can install your PROJET HT6000+ chimney over a weekend or have a professional install it for you in a few hours.



WARNING

A MAJOR CAUSE OF CHIMNEY-RELATED FIRES IS FAILURE TO MAINTAIN REQUIRED CLEARANCES (AIR SPACES) TO COMBUSTIBLE MATERIALS. IT IS OF UTMOST IMPORTANCE THAT THIS CHIMNEY BE INSTALLED ONLY IN ACCORDANCE WITH THESE INSTRUCTIONS.

RECOMMENDATIONS

Clearance

The clearances stated in this guide are minimum requirements: if more space is available, use it. Minimum clearances mean leaving unobstructed air space. Do not fill these spaces with any material whatsoever, especially not insulating material. If you insulate your attic later, be sure to maintain the necessary clearance.

INSPECTION

Contact local building or fire officials about restrictions, installation inspection and permit that may be required in your area.

BURNING SMART

How you burn wood in your stove or fireplace directly affects the formation of creosote. Smaller, hotter fires are better than large, smouldering ones. Fast, effective start-ups are important, as is the moisture content of the wood. Ideally, you should use seasoned wood with a moisture content of 20-25%. If your wood is not completely seasoned, use more dry kindling and paper first to warm the chimney to a temperature of at least 300°F. A surface thermometer is an excellent investment. Properly seasoned wood can produce 8,600 BTUs per pound.

WARNING

CREOSOTE FORMATION AND NEED FOR REMOVAL

When wood is burned slowly, it produces tar and other organic vapors, which combined with expelled moisture form creosote. The creosote vapors condense in the relatively cool chimney flue of a slow-burning fire. As a result, creosote residue accumulates on the flue lining. When ignited this creosote makes an extremely hot fire. ...A creosote deposit just 1/8" (3.0 mm) thick is enough to cause a chimney fire.

COAL

Some coals contain large quantities of sulphur (up to 7%). When coal is burned, sulphur and coal ashes are deposited in the chimney flue. This deposit combines with moisture to form a highly corrosive acid (sulphuric acid). In order to protect your chimney, we recommend that you:

1. Burn only low sulphur coals (less than 1% sulphur).
2. Have your chimney cleaned within 48 hours of shutting down your stove at the end of the heating season. Be certain that all the soot is removed. Wipe the chimney flue using a strong solution of baking soda and water. This can be done by wrapping a rag around a chimney cleaning brush, dipping it into the baking soda-water solution then passing it through the chimney three or four times.

WOOD AND COAL STOVES

If you are planning to install a wood stove, we recommend that you:

1. Choose a stove that bears the label of a testing laboratory (such as **ULC, CSA, WH, UL** or **ICBO**).
2. Choose the right size stove. Do not buy one larger than you need.
3. Connect only one appliance to a chimney.
4. Never overfire your stove. If any part of the stove or stove pipe is glowing red, then you are overfiring. Immediately close the stove's dampers until the system cools. The high temperature caused by overfiring can permanently damage the stove and stove pipe and may overheat nearby combustible walls and furniture.
5. Install the stove and stove pipe as described in the installation instructions accompanying the stove. Be certain to maintain the required clearances to combustible construction.
6. Keep your flue gases between 300°F and 500°F. This will maximize efficiency while minimizing condensation and creosote formation. Do not fill your stove with wood and allow it to smoulder for 8 to 10 hours. This condition produces large amounts of creosote in the chimney.
7. Do not burn sea driftwood or treated wood. These combustibles are highly corrosive to all types of stainless steel.

KEEP YOUR CHIMNEY CLEAN

CHIMNEY-OPERATION AND MAINTENANCE

Wood stoves can quickly create large deposits of creosote in the chimney. Some wood stoves can create enough creosote in two weeks to cause a chimney fire. When using a wood stove, we recommend that you:

1. Initially inspect the chimney system weekly. From this you will learn how often it will be necessary to clean your chimney.
2. The chimney should be inspected at least once every 2 months during the heating season to determine if a creosote or soot build-up has occurred. If creosote or soot has accumulated, it should be removed to reduce the risk of chimney fire.
3. Have your chimney cleaned by a qualified chimney sweep. If you want to clean your chimney yourself: clean your chimney using plastic, wood or stainless steel brushes. Do not use a brush that will scratch the stainless steel interior of your chimney.
4. Do not expect chemical chimney cleaners to keep your chimney clean. Their use does not negate the necessity of periodically inspecting and cleaning your chimney.

CHIMNEY FIRES

If you are having a chimney fire, follow these steps:

1. Close all heater doors and combustion air controls. For fireplaces, block the fireplace opening with a non-combustible material (such as an asbestos or steel sheet).
2. Alert your family of the possible danger.
3. If you require assistance, alert your fire department.
4. If possible, use a dry chemical fire extinguisher, baking soda or sand to control the fire. Do not use water as it may cause a dangerous steam explosion.
5. Watch for smouldering or fire on combustibles next to the stove, stove pipe and chimney. Check outside to ensure that sparks and hot embers coming out of the chimney are not igniting the roof.
6. Do not use the stove again until your chimney and stove pipe have been inspected by a qualified chimney sweep or fire department inspector.

The PROJET HT6000+ chimney has been designed to withstand the intense heat of a chimney fire. Nevertheless chimney fires are dangerous and should be prevented.

BEFORE HIRING A CHIMNEY SWEEP

1. Does the company or individual have adequate liability insurance in case of damage?
2. How long has the company been in business?
3. Does the company offer current references?
4. Is the company involved in any unresolved disputes?

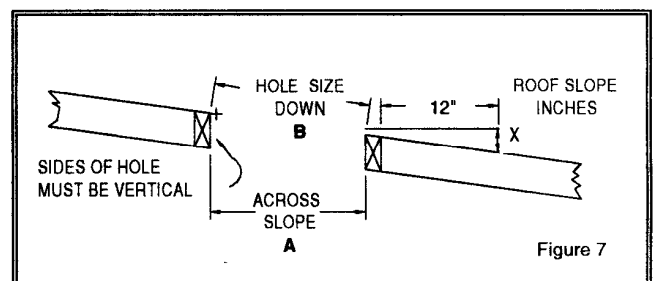
SIZING CHART

CHIMNEY SIZE	6"	7"	8"
OUTSIDE DIAMETER	10"	11"	12"
HOLE DIMENSION REQUIRED			
Round cathedral support (CS)	14 3/8"	14 3/8"	14 3/8"
Square cathedral support (CSB)	14 3/8"	14 3/8"	14 3/8"
Finished ceiling support (FCS)	14 3/8"	14 3/8"	14 3/8"
Firestop (FS+)	14"	15"	16"
Wall radiant shield (WRS+)	14"	15"	16"
MAX. LENGTH HEIGHT SUPPORTED **			
Wall support (WSB) & (AWS)	30'	28'	26'
Roof support (RS+)	20'	18'	16'
Round cathedral support (CS)	30'	28'	26'
Square cathedral support (CSB)	30'	28'	26'
Finished ceiling support (FCS)	30'	28'	26'
Offset support (OS+)	18'	16'	14'
Insulated tee * (ITS+)	30'	28'	26'

* When installed on a concrete floor.

** NOTE: if greater height is required, use additional roof supports or adjustable wall supports at intervals not exceeding 20'.

Framing size



CHIMNEY SIZE	6"		7"		8"	
ROOF SLOPE (X/12)	HOLE SIZE					
	A	B	A	B	A	B
0	14	14	15	15	16	16
2/12	14	14 1/4	15	15 1/4	16	16 1/4
4/12	14	14 7/8	15	15 7/8	16	16 7/8
6/12	14	15 3/4	15	16 3/4	16	17 7/8
8/12	14	16 7/8	15	18 1/8	16	19 1/4
10/12	14	18 1/4	15	19 9/16	16	20 7/8
12/12	14	19 7/8	15	21 1/4	16	22 5/8

1 GENERAL INSTALLATION NOTES

INSTALLATION NOTES

1. The chimney is intended for use with solid, liquid and gaseous fuel burning appliances.

Allowable flue gas temperature:

Maximum continuous 650°C (1200°F)

Brief forced firing 760°C (1400°F)

Tested to 1150°C (2100°F) - 30 minutes

2. The maximum height of chimney supported by the various PROJET support is outlined on page 3.
3. The supports described in this booklet should only be used with Oliver MacLeod's model PROJET HT6000+, 6", 7" and 8" factory built chimneys.
4. Size the chimney in accordance with the appliance manufacturer's instructions.
5. A chimney servicing a fireplace or an incinerator should not service any other appliance.
6. The chimney shall extend at least 3 ft above its point of contact with the roof and at least 2 ft higher than any wall, roof or adjacent building within 10 ft of it.
7. The maximum height of unguyed chimney above the roof is 5 ft.
8. The clearance between single wall stove pipe and unprotected combustible material must not be less than 18" (see National Building Code) except: **
The distance between the vertical stove pipe and the ceiling may be less than 18" and will be established by the finished ceiling support.
9. Portions of the chimney which may extend through accessible spaces shall be enclosed in all cases to avoid personal contact with the chimney and damage to the chimney. Except for installation in single and two family dwellings, the enclosure must have a fire resistance rating equal to or greater than that of the floor or roof assemblies through which they pass.
10. Do not fill the 2" space around the chimney with insulation or any other material.

Insulation placed in this area could cause adjacent combustibles to overheat.

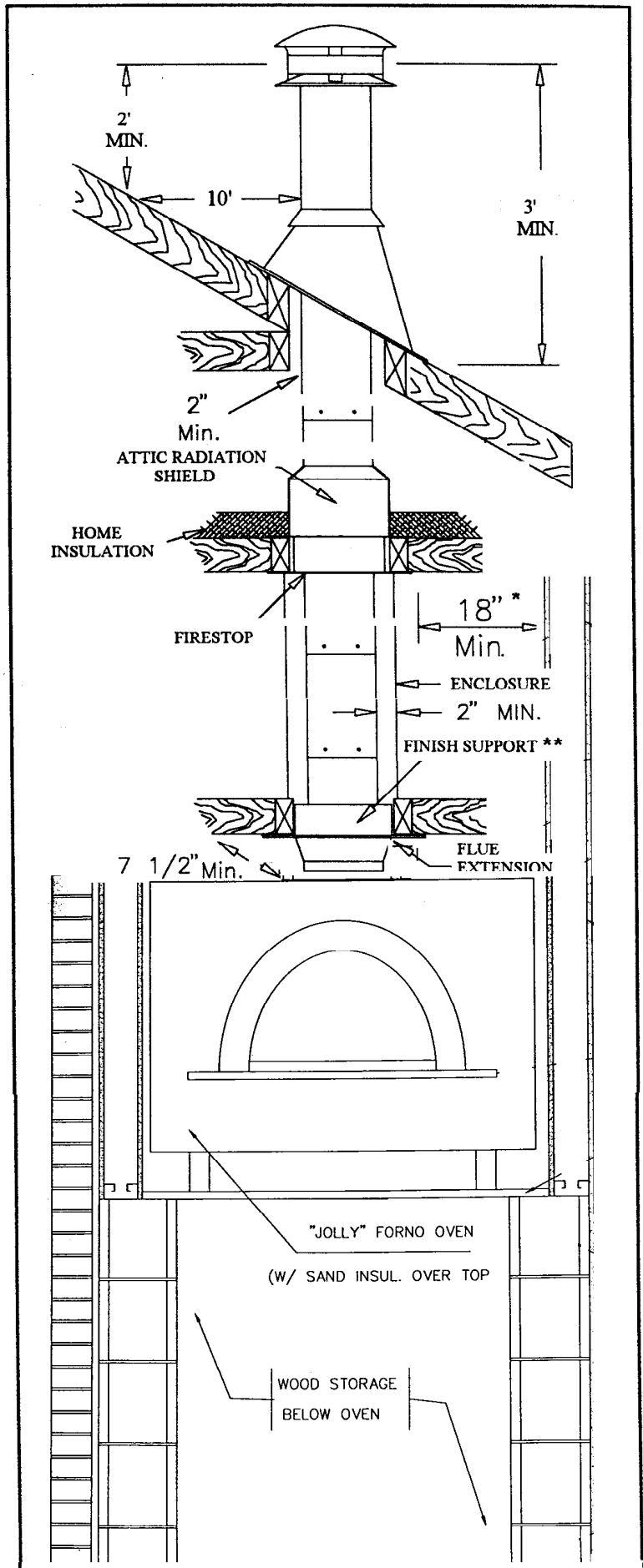
WARNING

The clearance between the chimney and combustible material must not be less than 2", except where established by the support. Do not fill this area with insulation.

Figure 1

* CLEARANCES CAN BE REDUCED IF A LISTED CHIMNEY CONNECTOR IS USED INSTEAD OF A SINGLE WALL CONNECTOR

** CLEARANCES CAN BE LESS THAN 2" WHERE ESTABLISHED BY THE SUPPORT.



INSTALLATION INSTRUCTIONS STEPS

1

- 1 Locate the chimney in a convenient place as near as possible to the appliance outlet.
Cut and frame the holes in the floor, ceiling and roof where the chimney will pass.

TABLE 1

CHIMNEY SIZE	HOLE SIZE	
	FINISH CEILING SUPPORT (FCS)	RADIATION SHIELD* & ROOF
6"	14 3/8" x 14 3/8"	14" x 14"
7"	14 3/8" x 14 3/8"	15" x 15"
8"	14 3/8" x 14 3/8"	16" x 16"

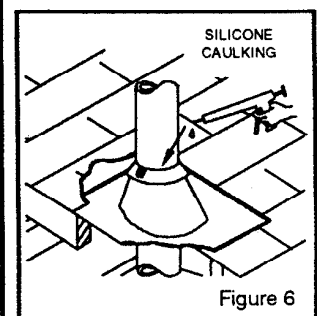
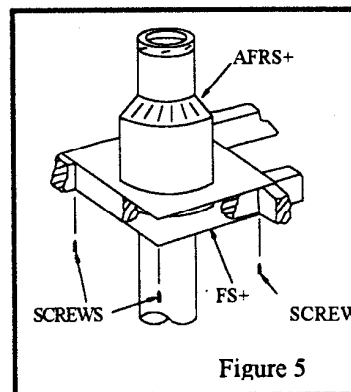
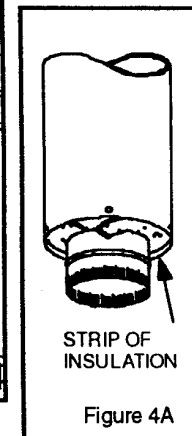
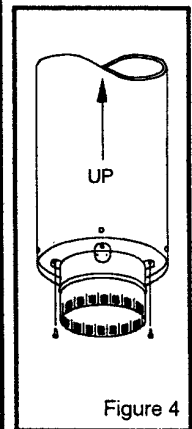
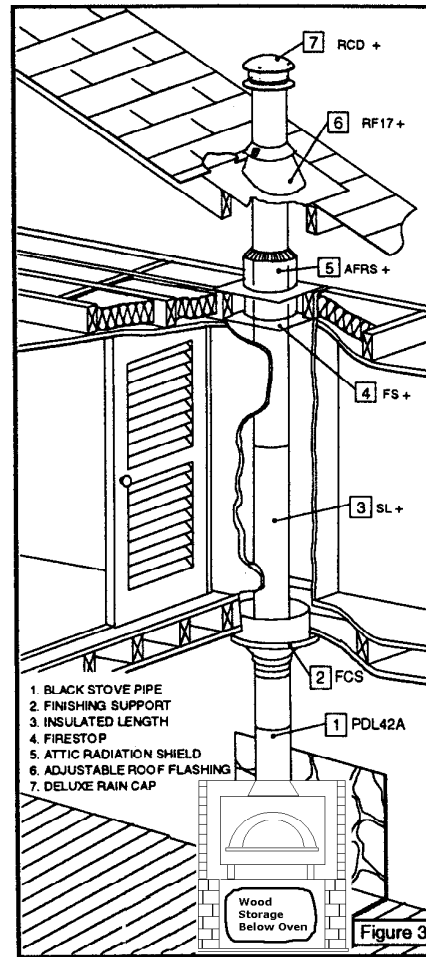
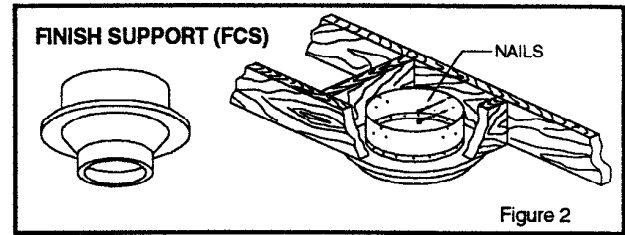
* For sloping roof see size chart on page 3

- 2 From below push the support into the framed hole. Nail the support to the framed box using 12 - 3" spiral nails (see Fig. 2)
- 3 Attach the universal chimney adaptor (PUP) (found in the support box) to the bottom of the first chimney length using the 3 metal screws provided (see Fig. 4).
- 4 Put the strip of insulation (supplied with the support) in the female end of the first chimney length (Fig. 4A).
- 5 Put that first chimney length in the support. Push it down firmly in place.
Note: the visible male coupling must be on top.
- 6 From below, install a firestop (FS+) in each floor through which the chimney passes. At the attic level, install an attic radiation shield (AFRS+) from above (See Fig.5).
Note: the home insulation may be in contact with the attic radiation shield.
- 7 Stack the next chimney length on the first length. Be sure that the male and female threads are not in line when putting the lengths together. Turn the chimney clockwise to lock it in place.

Continue until the required chimney height is reached.

ROOF FLASHING INSTALLATION

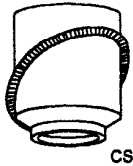
- 8 The chimney must not be enclosed when passing through the attic space.
Put the roof flashing in place. Seal the joint between the roof and the flashing with roofing pitch.
For sloping roofs, place the flashing under the upper shingles and on top of the lower shingles.
Nail the flashing to the roof using roofing nails.
Place the storm collar over the chimney and the flashing. Tighten it with the bolt supplied making sure the joint is properly caulked (see Fig. 6)
- 9 Fit the rain cap to the top of the chimney. Turn it clockwise to lock it in place. The rain cap may be removed for inspection or cleaning of the chimney. Using gloves, firmly grip the lower portion of the rain cap and turn counterclockwise.
- 10 Wash the roof flashing with a solvent or vinegar, then paint it with rust proof paint.



2 INTERIOR INSTALLATION WITH CATHEDRAL CEILING

A - ROUND CATHEDRAL SUPPORT (CS)

This support is designed to be used in rooms with cathedral ceilings (no attic space between the ceiling and the roof). If the support is used as a regular floor support, follow the instructions on page 5 (refer to fig. 8 for visual reference)



1 Situate the chimney in a convenient location as near as possible to the appliance outlet. Cut and frame a hole in the roof for the support. The sides of this hole must be vertical (Fig. 7) (see chart on page 3)

2 From above, place the support in the opening. Lower it to a convenient height.

Note: The cone portion of the support must extend below the ceiling. The minimum horizontal distance between the single wall stove pipe and the ceiling is 18". It can be reduced if a listed stove pipe is used.

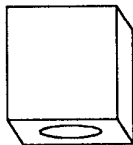
Using a level, make sure the support is vertical. If the support extends above the roof, cut it flush with the top of the roof. Nail the support to the framed opening using (12) - 3" spiral nails.

Finishing band: There is a finishing band supplied with the support. This band is to cover the joint between the support and the ceiling. Fit the band around this joint and nail or screw it to the ceiling.

TO CONTINUE SEE PREVIOUS STEP **3** ... ON PAGE 5

B - SQUARE CATHEDRAL SUPPORT (CSB)

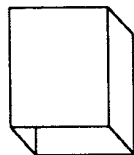
This support is similar in application and installation as the round cathedral support (CS) install it using the instructions on page 5 (refer to Fig. 9 for visual references).



CSB

SUPPORT EXTENSION (CSBX)

Steep pitched cathedral ceilings may require the use of a square support extension (CSBX). This piece fits down inside the square cathedral support and can be adjusted to increase the support's length by up to 16".



CSBX

The extension is attached to the support using the eight (8) metal screws provided. Be sure there is at least a 2" overlap where the extension joins the support (see Fig. 10).

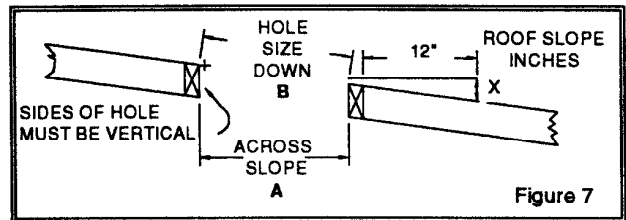


Figure 7

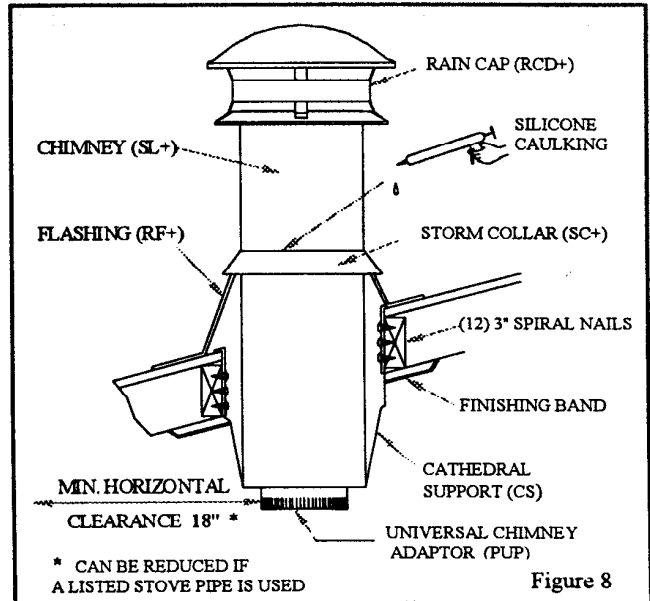


Figure 8

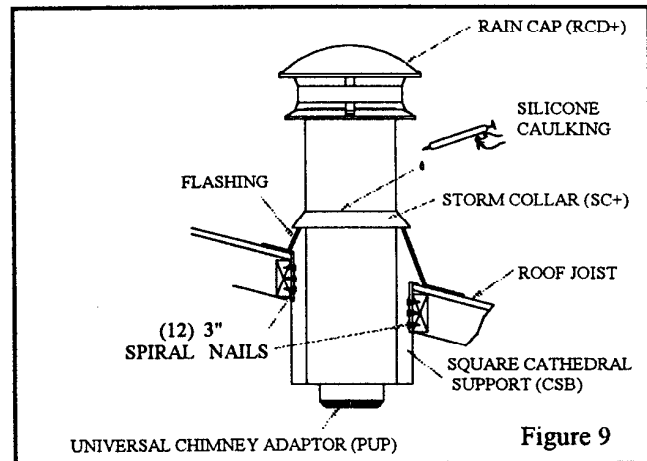


Figure 9

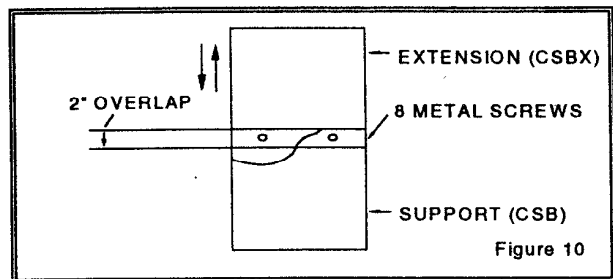


Figure 10

OFFSET CHIMNEY

If it is necessary to offset the chimney in order for it to pass through an upstairs cupboard or to clear a joist, do this by using 15° or 30° insulated elbows. A maximum of two offsets (4 elbows in all) is allowed in a chimney.

The maximum length of unsupported offset chimney is 6'. If the offset chimney is longer than 6', then it must be supported at 6' intervals using an offset support (OS+) or wall band (WB+).

INSTALLATION INSTRUCTIONS

Install the required support and the chimney as described in the support's installation instructions. When you reach the height at which the elbow will be installed proceed as follows :

- 1 Install the insulated offset elbow on the vertical chimney length. Turn it in the required direction and fasten it to the chimney with the (4) - ½" metal screws provided.
- 2 Place the required offset chimney length (see chart) on the elbow. Turn it clockwise to lock it in place.
- 3 Use another elbow to turn the chimney vertically. Again secure the elbow to the chimney length using the (4) - ½" metal screws.
- 4 Install the remaining chimney as described in the instructions for the roof support (page 8).

INSTALLATION CALCULATIONS

Determine the offset required in view of the obstacles that must be avoided. Refer to the chart to determine the elbows required as well as the insulated length needed.

OFFSET & RISE CHART MODEL PROJET HT6000+ (6", 7" & 8")

ELBOW	CHIMNEY SIZE	OFFSET & RISE	ONE LENGTH BETWEEN ELBOWS					TWO LENGTHS BETWEEN ELBOWS				
			8"	12"	18"	24"	36"	8" & 36"	12" & 36"	18" & 36"	24" & 36"	36" & 36"
15°	6", 7"	OFFSET	3	4 ¼	5 ¾	7 ¼	10 ¼	12 ¼	13 ¼	14 ¾	16 ¼	19 ½
	& 8"	RISE	16 ½	20 ¼	26 ¼	32	43 ½	50 ½	54 ¼	60	65 ¾	77 ½
30°	6", 7"	OFFSET	7 ½	9 ½	12 ½	15 ½	21 ½	25	27	30	33	39
	& 8"	RISE	20 ¾	24 ¼	29 ½	34 ¾	45	51 ¼	54 ¾	60	65 ¼	75 ½

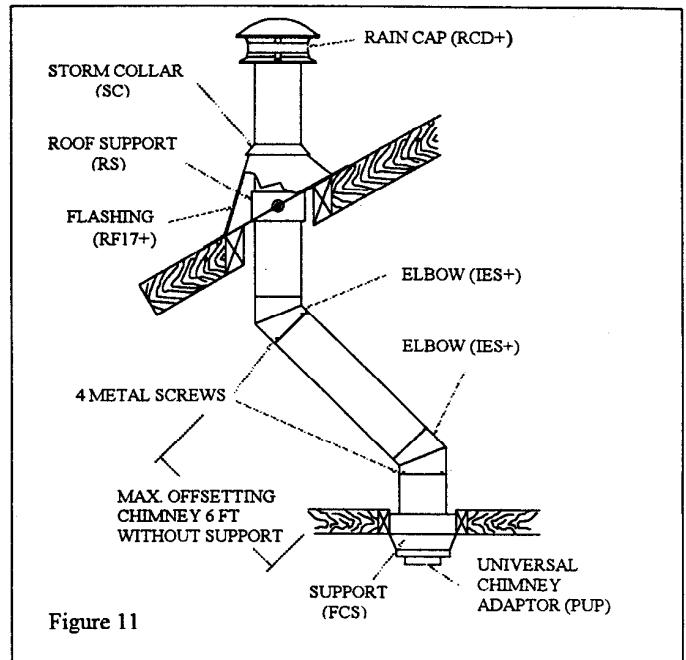


Figure 11

WARNING

A support must be installed above each offset (two elbows) to support the chimney above the offset.

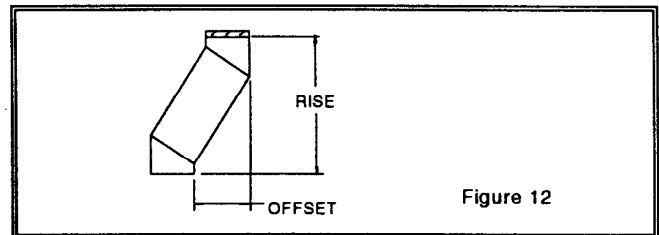


Figure 12

3

OFFSET INSTALLATION (CONT'D)

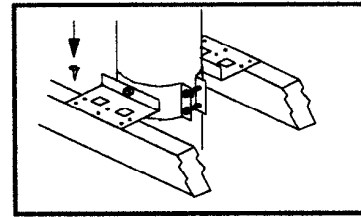
ROOF SUPPORT (PXST+)

The roof support has three possible uses:

It may be used to support a chimney from the roof. It adjusts to any roof pitch.

It may be used on a floor, ceiling or roof above an offset to support the chimney above the offset.

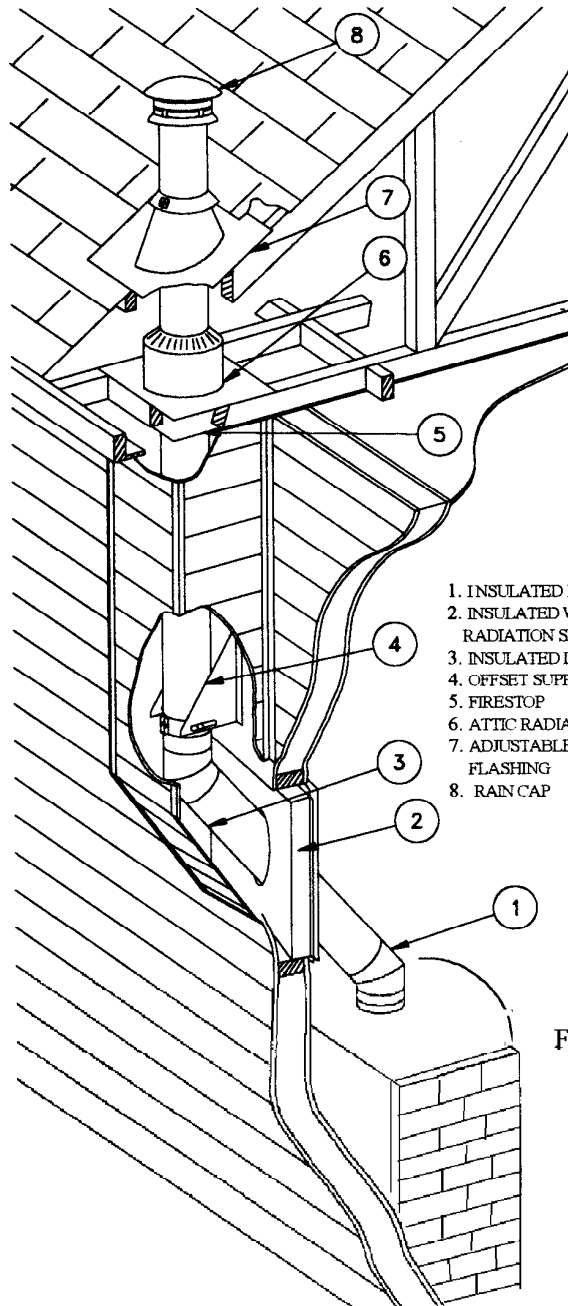
It may be used on a floor, ceiling or roof as a supplementary support when the chimney height exceeds that of the primary support.



INSTALLATION INSTRUCTIONS

With the chimney extending through the hole in the roof, ceiling or floor, proceed as follows:

- 1** Assemble the support collar to fit your chimney diameter as described on the instruction sheet supplied with the support.
- 2** Slip the support down over the stainless steel chimney until its brackets rest on the roof or floor. Tighten the collar around the chimney, then secure it by screwing the four (4) 1/2" metal screws (supplied) through the holes located on each side of the collar bolts.
- 3** Center the chimney and nail or screw the support to the roof or floor using (8) 2 1/2" nails or (8) N°8 - 1 1/4" wood screws.
- 4** Install the remaining chimney lengths, until the required chimney height is reached.

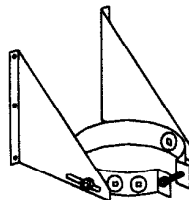


1. INSULATED ELBOW
2. INSULATED WALL RADIATION SHIELD
3. INSULATED LENGTH
4. OFFSET SUPPORT
5. FIRESTOP
6. ATTIC RADIATION SHIELD
7. ADJUSTABLE ROOF FLASHING
8. RAIN CAP

Figure 14

OFFSET SUPPORT (PXSO +)

This support is normally for resupporting a chimney venting a listed fireplace. When a chimney offset is used to pass through a wall, this support may be used on the wall to support the chimney. The height of chimney supported is shown in page 3.



PXSO +

INSTALLATION INSTRUCTIONS

Install the chimney according to the fireplace installation instructions. Install the support as follows (refer to fig. 14 for visual references):

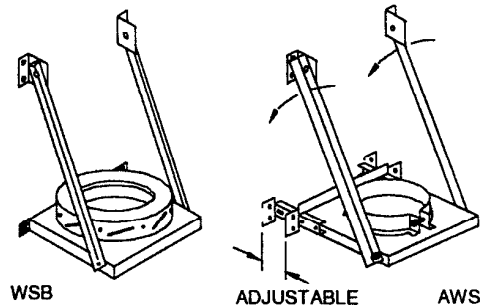
- 1** Assemble the support collar to fit your chimney diameter as described on the instruction sheet supplied with the support..
- 2** Slip the support down over the chimney to a convenient location. Be sure that the support attaches to a solid wall and not merely to dry wall or aluminium siding.
- 3** Tighten the collar around the chimney, then secure it by screwing four 1/2" metal screws (supplied) through the holes located on each side of the collar bolts and into the chimney.
- 4** Attach the support brackets to the wall using (8) 3" nail or (8) N°10 x 1 1/4" wood screws.
- 5** Continue installing the chimney according to the fireplace installation instructions.

WALL SUPPORT (WSB OR AWS)

Two wall supports are available, an adjustable (AWS) and a non-adjustable (WSB).

INSTALLATION NOTES

If possible, install an interior chimney as it will provide better performance than an exterior chimney. In areas with continuous temperatures below -18°C (0°F) the use of an exterior chimney may result in operating problems such as poor draft, excessive condensation of combustion products and rapid accumulation of creosote when connected to a wood burning appliance. If you do install an exterior chimney, we recommend that you enclose it using an insulated enclosure.



1. The chimney may be enclosed or unenclosed. Maintain 2" clearance to combustible materials. Do not fill the 2" space around the chimney with insulation or any other material.
2. A wall band must be used to secure the chimney to the wall. Maximum distance between wall bands is 8 feet.
3. The adjustable support (AWS) may only be installed in conjunction with an insulated plug (PTCS+).
4. The adjustable support (AWS) can be installed either below or above the insulated tee.
5. The minimum length of chimney extending past the inside wall is 5 inches.
6. The maximum length of chimney extending past the inside wall is 24 inches.
7. The distance between the stove pipe and a parallel combustible wall or ceiling must not be less than 18". The distance between the horizontal stove pipe and the unshielded vertical wall through which it passes must not be less than 7 inches.
8. If an exterior installation is to be enclosed (see Fig. 18), allow for access to base of tee to facilitate required cleaning.
9. The minimum distance between the bottom of the support and any horizontal combustible (including the ground) is 6". This distance can be reduced to 2 inches by using an insulated plug in conjunction with a (AWS) adjustable wall support.

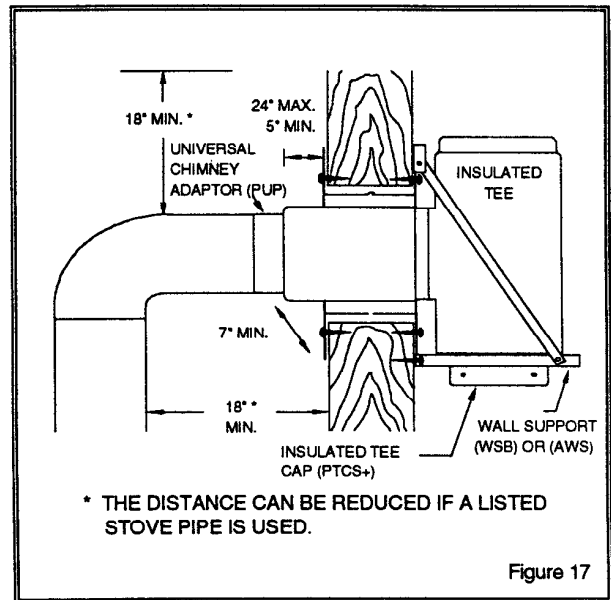


Figure 17

INSTALLATION INSTRUCTIONS STEPS

- 1 Determine where the chimney will pass through the wall.
 - ◇ For concrete wall, cut a hole slightly larger than the chimney.
 - ◇ For combustible wall, cut and frame a hole 4" larger than the chimney, midway between the wall studs (see Fig. 19).

Normally, wall studs are placed at 16" centers. With the hole midway between them, the support will fasten to these studs and thus ensure a strong attachment to the wall.

CHIMNEY SIZE	HOLE SIZE	
	COMBUSTIBLE	CONCRETE
6"	14" x 14"	10 1/4"
7"	15" x 15"	11 1/4"
8"	16" x 16"	12 1/4"

Table 5

- 2 Wood wall: from outside, put the wall-radiation shield in the hole. Use the smaller shield. Nail the radiation shield in place using (4) 2" nails.

4 THROUGH-THE-WALL INSTALLATION (CONT'D)

From inside, put the larger wall-radiation shield over the small radiation shield. Using a level make sure that the hole for the chimney to pass through is horizontal. Screw the radiation shield in place (see Fig. 20).

Note: The cavity surrounding the radiation shield must be filled with type R-20 insulation (see Fig. 20).

- 3 Attach the clean out cap to the support's universal chimney adaptor using the three (3) metal screws provided. Make sure that the screws have pierced through the universal chimney adaptor. The cap is in the box with the insulated tee. Or if an insulated plug is used, twist lock the plug to the tee (adjustable support (AWS) only).

- 4 The minimum length of insulated chimney required to pass through the wall will be thickness plus 7". The insulated chimney must extend at least 5" into the room beyond the finished wall. Insert this chimney length in the side entry of the insulated tee. Turn it clockwise to lock it in place. Seal this joint by wrapping it with the aluminium tape supplied with the tee.

Mount the insulated tee on the support so that the chimney length which will go through the wall is perpendicular to the side of the support that will fasten to the wall.

- 5 This step will require 2 people:

Insert the chimney length of this tee-support assembly into the hole in the wall. Using a level, ensure the tee is vertical, then attach the support to the wall using (8) N^o. 10 x 1 - 1/4" wood screws or 4" spiral nails (see Fig. 21).

NOTE: To provide sufficient strength, the nails must be driven into the wall studs. For concrete walls, the support should be attached using (8) 1/4" x 2" lag bolts.

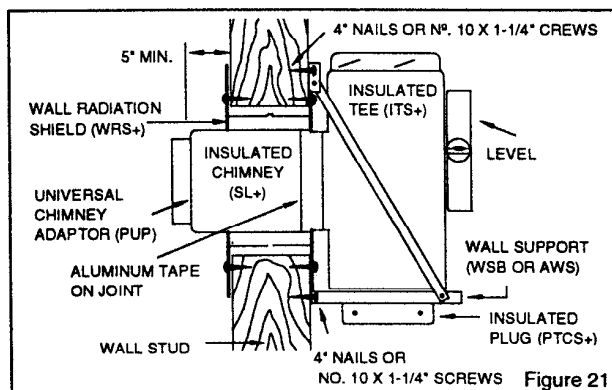
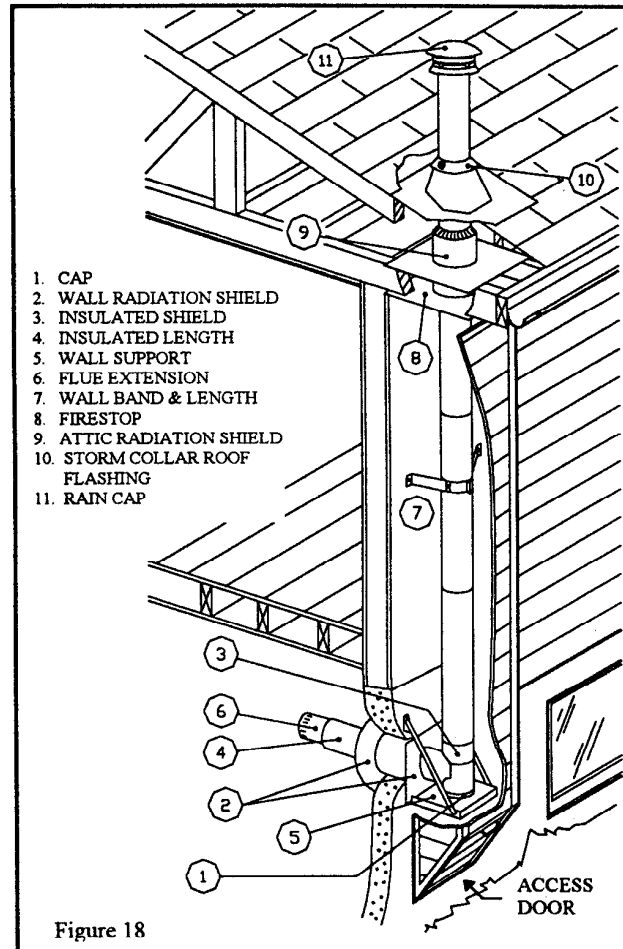
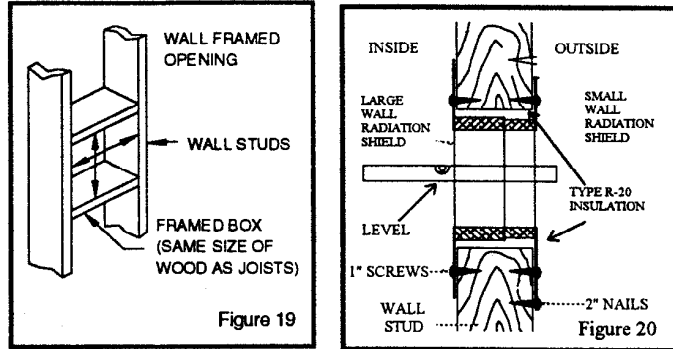
- 6 Attach the universal chimney adaptor to the horizontal chimney length using the three (3) metal screws provided.

- 7 If the chimney passes through the roof, cut a hole large enough to provide 2" clearance between the chimney and the roof. For flat roof, and for sloping roofs, see chart on page 3.

- 8 Stack a chimney length on top of the tee. Turn it clockwise to lock it in place.

- 9 Stack the next chimney length on the first length. Continue until the required chimney height is reached.

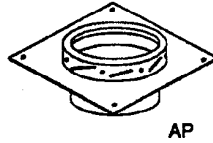
To continue, SEE ROOF FLASHING INSTALLATION, on page 5. Step 8



FIREPLACE COMPONENTS

FIREPLACE ADAPTOR (AP)

This support is only used on a masonry fireplace or on a factory-built fireplace to provide a positive connection to the chimney. It is not to be used in contact with any combustible material, such as on a wood floor.



INSTALLATION INSTRUCTIONS

Once the fireplace is installed, bolt the fireplace adaptor to the fireplace. Install the chimney according to the interior installation instructions on page 5. Omit steps 1 to 4.

FACTORY-BUILT FIREPLACES

For chimneys installed on factory-built fireplaces, follow the installation instructions accompanying the fireplace.

FIREPLACE INSULATED RADIATION SHIELDS

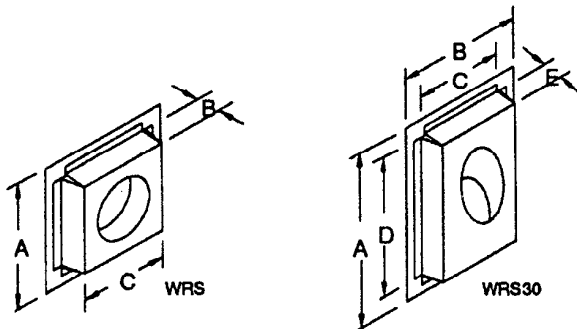
These are used only with wood-burning fireplaces in Oliver Macleod fireplace line and wood-burning fireplaces which have been certified for use with the HT6000 +.

INSULATED RADIATION SHIELD (WRS)

It must be used in combination with an attic radiation shield (AFRS+) when passing through an attic. This component provides a 2" safety clearance to combustible materials surrounding the chimney.

ANGLED INSULATED RADIATION SHIELD (WRS30)

It has been designed for use when a chimney passes through a wall at an angle.



Ø INT.	FRAMING SIZE			
	WRS		WRS30	
	7"	8"	7"	8"
A	18	18	41¼	43 5/16
B	3	3	18 3/8	19 3/8
C	14	14	36 3/4	38 13/16
D	--	--	13 7/8	14 7/8
E	--	--	3	3

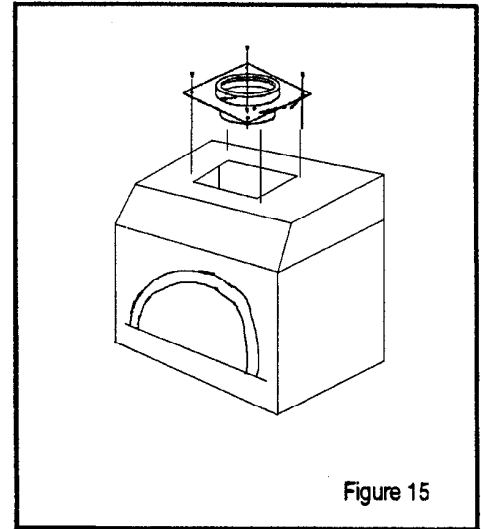


Figure 15

NOT ALL WOOD IS CREATED EQUAL

Some types of wood have greater energy potential than others. Some logs will give you a hot, crackling fire, others will burn longer and more evenly. Choose the type of flame you prefer. The following table shows how different types of wood burn.

Wood Type	Ability To Create Long Lasting Coals	Sparks	Fragrance	Heating Qualities
Black Locust	Excellent	Very Few	Slight	Excellent
Maple	Excellent	Few	Good	Excellent
Oak	Excellent	Few	Fair	Excellent
Hickory	Excellent	Moderate	Slight	Excellent
Beech	Good	Few	Slight	Excellent
Cherry	Excellent	Few	Excellent	Good
Apple	Excellent	Few	Excellent	Good
Elm	Good	Very Few	Fair	Good
Ash	Good	Few	Slight	Good
Birch	Good	Moderate	Slight	Good
Hemlock	Low	Many	Good	Fair
Pine	Poor	Moderate	Good	Fair
Cedar	Poor	Many	Good	Fair



PROJET HT6000+ 30 YEAR LIMITED WARRANTY

This limited warranty is granted by Security Chimneys International Ltd., 2125 Monterey, Laval, Quebec, Canada H7L 3T6. (Hereinafter referred as "Warrantor")

Limited Warranty:

The Warrantor grants a warranty to the initial consumer that the HT6000+ stainless steel chimney will be free from defects in material and workmanship under normal use of such chimneys for a period of 30 years from the date of purchase. This warranty is not valid if the HT6000+ chimney is not installed in accordance with the recommendations provided in the installation manual and with all the components provided by the manufacturer. This product must be used for the application for which it was designed and intended.

The Warrantor shall not be liable for damages due to normal wear of the HT6000+ chimney lengths, accidents, misuse, lack of reasonable and necessary maintenance, improper installation or unauthorized repairs, alterations or modifications of the product.

The Warrantor's liability with respect to defects shall be limited to the replacement of the HT6000+ chimney lengths considered defective by the Warrantor for the following periods:

1. During the first 10 years, the Warrantor will provide HT6000+ chimneys lengths and the initial consumer shall bear all other costs.
2. During the 11th to 30th years, the initial consumer can purchase a replacement chimney length at any of the Warrantor's dealers for 50% of the then suggested retail price and the initial consumer shall bear all other costs.

The Warrantor reserves the right to replace HT6000 chimney lengths with an equivalent product and the replacement must be carried out in accordance with the Warrantor's recommendations.

The warranty is limited to the replacement of defective chimney lengths and does not include any damages resulting from any defect in the product nor does it include expenses sustained in connection with the product, including damages to property.

IN NO EVENT WILL WARRANTOR BE LIABLE TO YOU OR ANY OTHER PERSON FOR ANY DAMAGES, INCLUDING ANY INCIDENTAL OR CONSEQUENTIAL DAMAGES. SOME STATES DO NOT ALLOW THE ABOVE LIMITATION OR EXCLUSION OF INCIDENTAL OR CONSEQUENTIAL DAMAGES, SO THE ABOVE LIMITATIONS OR EXCLUSIONS MAY NOT APPLY TO YOU.

The warranty is only valid for an initial consumer who buys HT6000+ chimney lengths and may not be assigned.

EXCEPT AS EXPRESSLY SET FORTH ABOVE, NO OTHER WARRANTIES, EITHER EXPRESS OR IMPLIED, WRITTEN OR ORAL, ARE MADE INCLUDING BUT NOT LIMITED TO THE IMPLIED WARRANTIES OF MERCHANTABILITY AND FITNESS FOR A PARTICULAR PURPOSE, AND THE WARRANTOR EXPRESSLY DISCLAIMS ALL WARRANTIES NOT STATED HEREIN. SOME STATES DO NOT ALLOW THE EXCLUSION OF IMPLIED WARRANTIES, SO THE ABOVE EXCLUSION MAY NOT APPLY TO YOU. THIS WARRANTY GIVES YOU SPECIFIC LEGAL RIGHTS AND YOU MAY ALSO HAVE OTHER RIGHTS THAT VARY FROM STATE TO STATE.

This warranty is governed by the laws of the province of Quebec, Canada.

OBTAINING REPLACEMENT:

To obtain a replacement, contact the Warrantor or the dealer. Proof of purchase is required. If defective chimney lengths have to be returned, it will be at the consumer's expense. The Warrantor will replace any chimney lengths which upon examination by Warrantor or its designated representative, prove to be defective.