

NAME: Machine for coffee grinding and dosage

MODEL: ROCKY

The label illustrated on the cover of this instruction manual corresponds to the label placed on the machine Fig. 2.

Label data:

1		
2	3	4
5	6	
7	8	9
10	11	12
13		14

- 1 Manufacturer
- 2 Model and version
- 3 Voltage
- 4 EC conformity mark (if required)
- 5 Serial number
- 6 Machine total absorption
- 7 Boiler data
- 8 Frequency
- 9 Omnipole switch fuse data
- 10 Motor power
- 11 Heating element power
- 12 Protection level
- 13 Conformity marks
- 14 Year of manufacture

Fig. 1

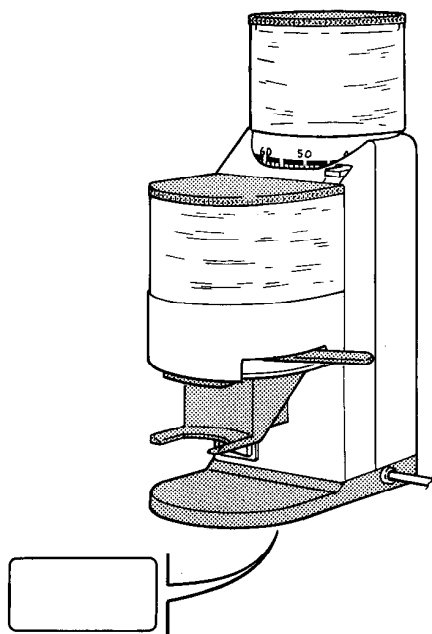


Fig.2

Symbols



Warning signal. The instructions which refer to this signal must be followed with great care in order to avoid accidents or damage to the machine.

This manual is an integral and essential part of the product and must be delivered to the user. The warnings contained in this manual must be read carefully as they supply important indications relative to the safety of installation, use and maintenance. Keep this manual for future reference.

1. GENERAL SAFETY RULES

- The packing elements (plastic bags, expanded polystyrene, nails, cardboard, etc.) must not be left within reach of children as they are potential sources of danger.
- Before connecting the equipment, check that the data on the machine corresponds to that of the electrical supply network.
- The supply cable should be unwound for the whole length (avoid twisting) in a safe place where it cannot be damaged or touched by children. Do not place the cable near water, liquids or heat sources. The cable must not be damaged (should it be damaged, contact qualified personnel to replace it as the use of a special tool is required).
- It is not recommended to use adaptors, multiple sockets and/or extensions. When their use is indispensable, only products with certificate of quality (e.g. IMQ, VDE, +S, etc.) may be used. Check that the voltage capacity limit indicated on the adaptors exceeds the absorption capacity (A=ampère) of the equipment.
- In doubt, request an accurate control of the plant by qualified personnel. The electric plant must be provided with the following safety devices:
 - efficient earth connection
 - section of conductors suitable for absorption capacity
 - efficient earth leakage protection circuit breaker.
- Install the machine on a dry surface (laminated, steel, ceramic, etc.) away from heat sources (oven, cooking stove, fireplace, etc.) and in conditions in which the temperature does not go below +5°C.
- Do not leave the machine exposed to atmospheric agent or install it in damp rooms such as bathrooms.
- Only original spare parts should be used, obtainable from a concessionaire or authorized service centre.
- Keep the packed machine in a dry place, not exposed to atmospheric agents and in conditions in which the temperature may not go below 5°C.
Do not stack more than three items of the same kind.
Do not place heavy items on the packaging.



Erroneous installation can cause damage to people, animals and things for which the manufacturer cannot be considered responsible.

2. DESCRIPTION

2.1. Features

The machine is composed of a single structure for coffee grinding and dosage.

The machine has a cast aluminium structure and plastic panelling.

The coffee beans are held in a hopper fitted with a lid. When the machine is turned on, the grinding device under the hopper is activated. The ground coffee is collected in the front container, from where the coffee doses may be taken by activating a hand lever.

2.2. Protections

All moving parts are inside the machine panelling.

In the bean container 1 Fig. 3 a protection is fixed with screws to protect your hands when filling and cleaning the bean container.

2.3. Aerial noise

In most working places the noise level is not generally higher than 70dB(A).

2.4. Vibrations

The machine is fitted with rubber vibration damping feet. In normal working conditions, the machine does not produce vibrations harmful to the operator and the environment.

3. TECHNICAL DATA

Machine dimensions	A-116 B-245 H-350mm.
Packing dimensions	A-230 B-340 H-410mm.
Packing volume	0,03m ³
Net weight	7kg.
Gross weight with packing	7,5kg.
No. of items	1
Grinder motor	140W
Electric power supply	See label data Fig. 1
Bean container capacity	300gr.
Ground coffee container capacity	CA 200gr.
Working place temperature	+5°+45°C

Legend Fig. 3:

- 1 Bean container
- 2 Main and coffee grinding switch
- 3 Ground coffee dose lever
- 4 Grinding adjustment button
- 5 Ground coffee container
- 6 Filter support

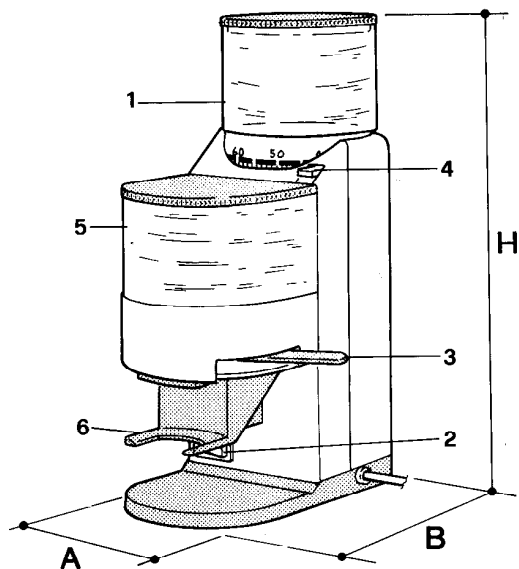


Fig.3

4. USE

The machine has been designed to grind coffee. Any other use is to be considered unsuitable and therefore dangerous.

The user must always follow the instructions contained in this manual. In the case of a failure or if the machine is not working properly, switch it off and do not attempt any direct repairs.

Refer exclusively to qualified personnel.

The user must not:

- put his hands under the ground coffee container;
- transport the machine or carry out maintenance operations with the plug connected;
- pull the supply cable in order to disconnect the machine from the supply network;
- use the machine if the supply cable is damaged;
- touch the machine with wet or damp hands or feet;
- wash the machine with water or vapour jet;
- immerse the machine in water or any other liquid;
- use the machine when there are children in its proximity;
- allow the machine to be used by children or unfit persons;
- obstruct the suction or heat dispersal grilles with cloths, etc.;
- leave the side doors open;
- place containers with liquids on the machine.



If the machine is wet or damp, wait until it is completely dry before installing or using it.

It is always necessary to request an accurate control by qualified personnel to discover any possible damage to the electric components.

4.1. Counterinstructions

This machine may be used only for the purposes for which it was designed. It should not be used to grind any products other than coffee or any non food products.



The manufacturer cannot be held responsible for any damage caused by unsuitable, erroneous or irrational use of the machine.

5. TRANSPORT

The machine must always be transported in a correct position, following the instructions on the cardboard box.



Do not turn the machine over or lay it on its side.

The cardboard box contains the single parts of the machine and the manual, to be kept for future reference.

- Open the upper side of the box, remove the accessories and take out the machine.
- Check that the machine, the accessories, the electric cable and the plug are in perfect condition. Should one of these parts be damaged, immediately contact the retailer



The packing elements (plastic bags, expanded polystyrene, nails, cardboard, etc.) must not be left within reach of children, as they are potential sources of danger.

Do not dispose of the packing elements in the environment; consign them to firms authorized for their disposal.

6. INSTALLATION

The machine is delivered ready to be installed according to the label data Fig.1



Ensure that the user's electrical supply has the same characteristics as the machine.

The power supply plant must be supplied with earth leakage protection circuit breaker or automatic main switch connected to an adequate earth connection. If no safety device is available, an omnipole switch should be installed by qualified personnel in compliance with the safety regulations in force, having an opening distance of the contacts equal or superior to 3 mm.

It is compulsory to use grounding connections with the machine.

The manufacturer declines any responsibility if this accident prevention regulation is not observed.

Do not damage the electric cable by bending or crushing it.

Disconnect the machine by the plug, not by pulling on the cable.

It is recommended not to place the machine in niches in order to avoid problems during maintenance or filling operations.

- The supporting surface of the machine must be well levelled, dry, stable and 80 cm high from the floor.
- Position the machine and plug in.

7. GRINDING Fig. 4

The coffee grinder is tested by the manufacturer with an approximate grinding adjustment. It is recommended to re-adjust the grinding according to your requirements and the kind of coffee to be used.

- With the motor off and the bean container empty, press adjustment button 4 and turn the container 1 in a clockwise direction until the grinders touch;



Never press grinding adjustment stop button 4 when the machine is operating.

- Now turn the container 6/7 notches in an anti-clockwise direction and release button 4, ensuring that it is perfectly blocked;
- Turn the machine on using button 2 and ensure that the grinders do not scrape against each other.



Should the grinders scrape against each other, immediately turn the machine off and turn the container 2/3 notches in an anti-clockwise direction.

- Turn of the machine, open contain 1, put in a small amount of beans and grind them by pressing button 2.
- Prepare a coffee, checking the delivery time, which should be between 25 and 30 seconds for the best grinding.
- Check coffee quality and taste considering that coarse grinding produces light coffee without cream, whereas too fine grinding produces strong, dark coffee without cream.
- If the coffee does not meet your requirements, adjust the grinding by turning the container in a clockwise direction for fine grindings and in an anti-clockwise direction for coarse grindings.
- Repeat this operation until you get the quality of coffee you wish.

The machine does not need new adjustments when using the same kind of coffee; if you change the kind of coffee, re-adjustments must be made to the grinding.

- When grinding is adjusted, grind some coffee by pressing switch 2.

It is recommended to grind the quantity of coffee that is immediately needed. When ground coffee is left for too long, it loses its freshness and fragrance.

Never grind already ground coffee.

8. MAINTENANCE



Maintenance operations are to be effected when the machine is off and unplugged.

Do not clean the machine with metal or abrasive devices, such as steel wool, metal brushes, needles, etc. or detergents. For cleaning operations, a damp cloth or sponge may be used.

8.1. Routine maintenance

- Clean the outside structure and the ground coffee container.
- Clean the dosing area under the ground coffee container.

8.2. Periodical maintenance or after frequent working of the machine

- Empty the coffee bean and the ground coffee containers and clean them in order to remove any greasy coffee residue.



Should the cable be damaged, contact an authorized service centre to replace it as the use of a special tool is necessary.

All waste products used for working or maintenance operations that could pollute the environment or are not biodegradable should be sent to firms authorized for their disposal.

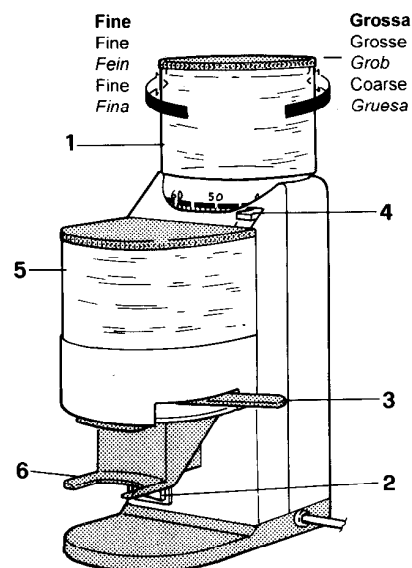


Fig.4

9. STOPPING THE MACHINE

9.1. Temporary stop

- Grind the beans left and empty the container.
- Turn off switch 2 Fig. 3 and unplug the machine.
- Carry out the maintenance operations (see paragraph 8).
- Keep the machine in a dry place. Do not leave it exposed to atmospheric agents and do not allow it to be used by children or unfit persons.

9.2. Definitive stop

After effecting the operations of temporary stop, follow these instructions:

- Cut the supply cable.
- Pack the machine using cardboard, polystyrene or other packing materials and deliver it to an authorized rubbish collector or second-hand goods dealer.

10. PROBLEMS

Check operations to be carried out by the user.

- A) The machine does not start:
- *check if the plug is connected;*
 - *in case of power failure wait for the power to return and check if the earth leakage protection circuit breaker or the main switch is on;*
 - *check the conditions of the plug and the supply cable; if damaged, contact a service centre to replace them.*
- B) It does not grind coffee:
- *check that there are some coffee beans in the container;*
 - *check the grinding adjustment (paragraph 7.).*
- C) Doses are not regular:
- *thoroughly clean the ground coffee container and the side under it (coffee nozzle);*
 - *check that the movement of the dosing lever is correct and free.*



For any other type of malfunctioning or unspecified problem, unplug the machine, do not inspect it or carry out any repairs, and consult a qualified service centre.